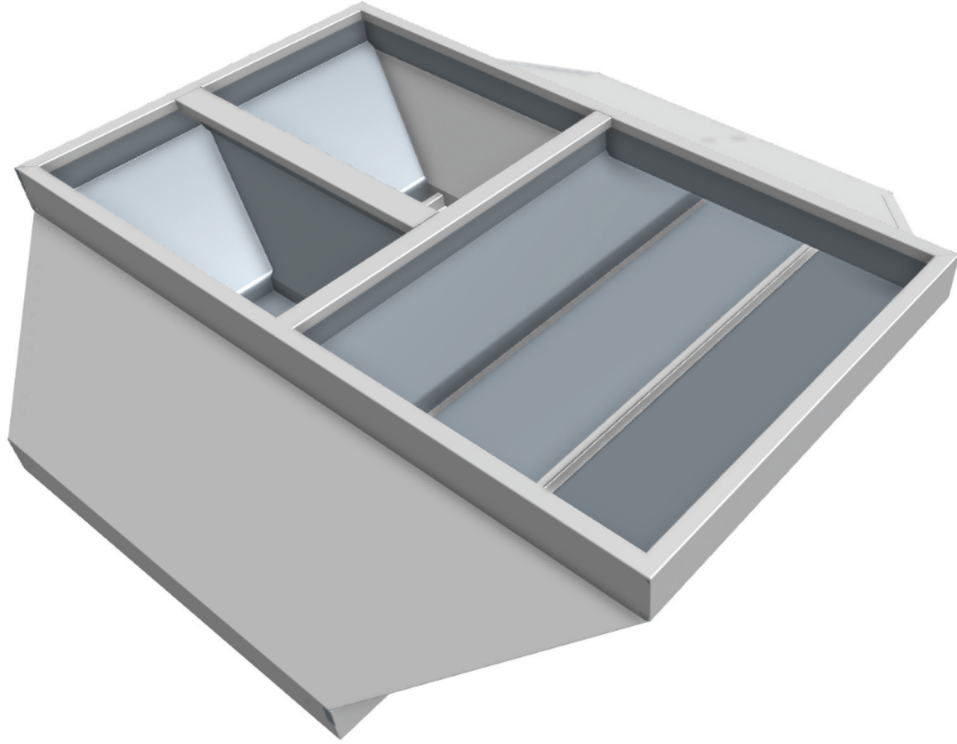
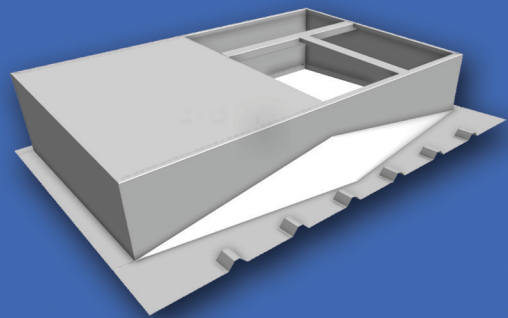
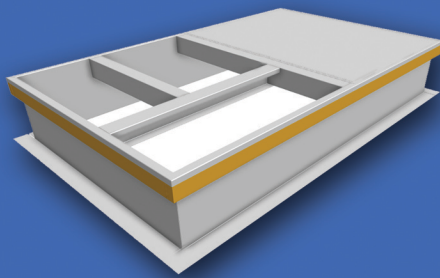




LINE CARD



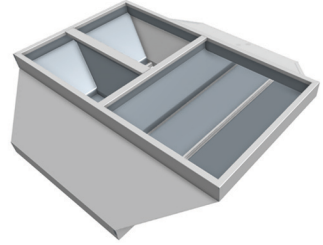
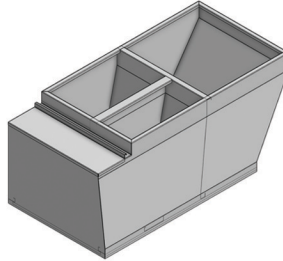
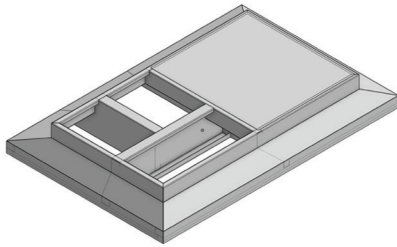
2024 LINE CARD



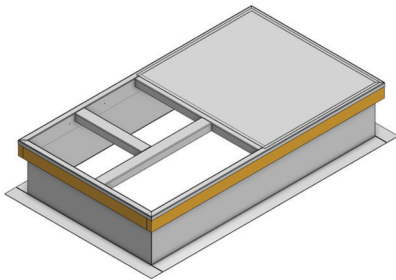


LINE CARD

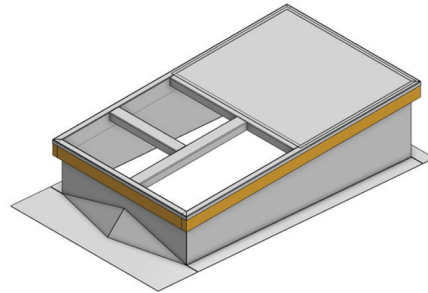
CURB Adapter



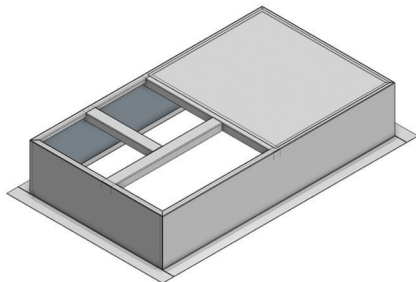
STANDARD WELDED Curb



Standard

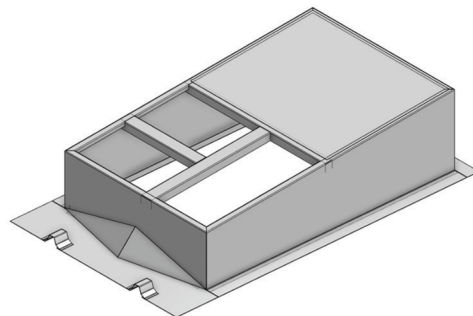
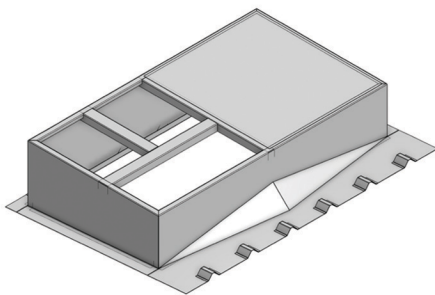


Pitched Welded Curb



Welded Flanged In Curb
(Insulated)

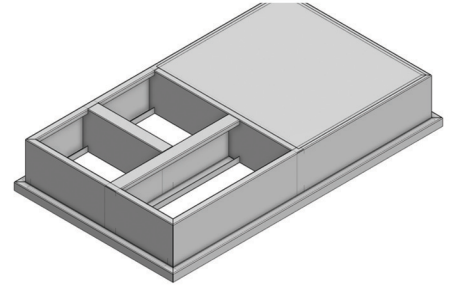
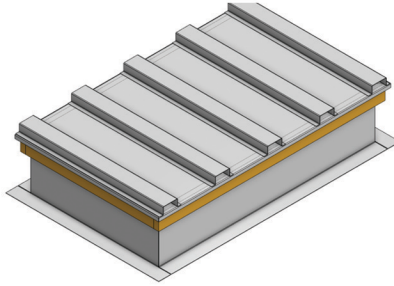
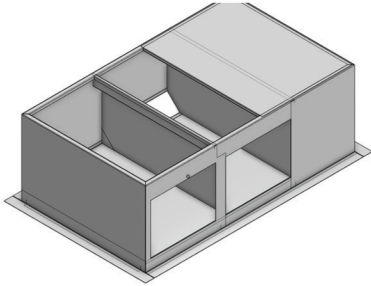
RIBBED METAL Building Curb





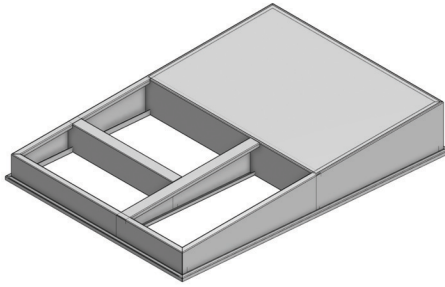
LINE CARD

SIDE Discharge Curb
PLATFORM Curb
CURB Extension

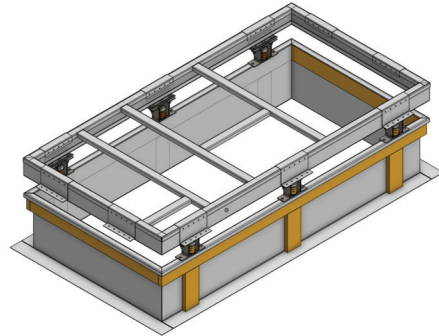


Curb Extension

PITCH Corrector
VIBRATION Isolation Curb

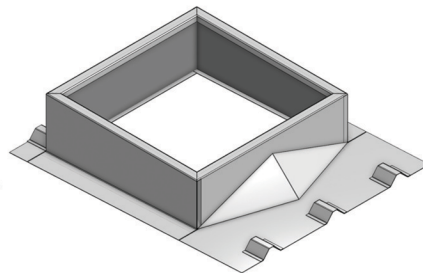
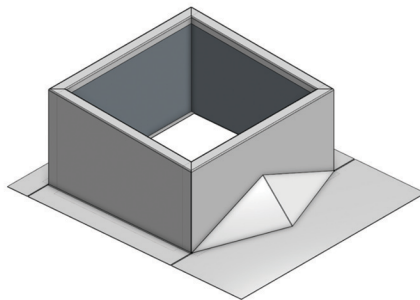
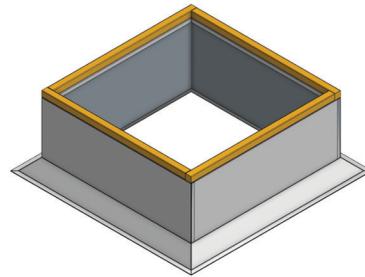
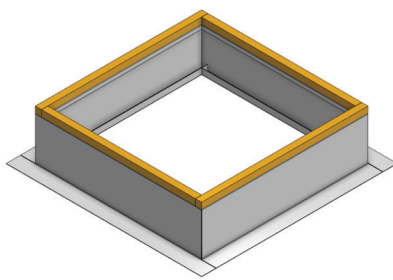


Pitch Corrector



Vibration Isolation/
Wind Rated Curb

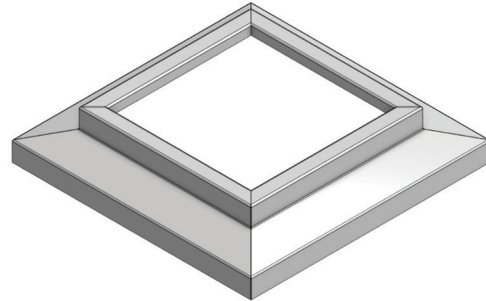
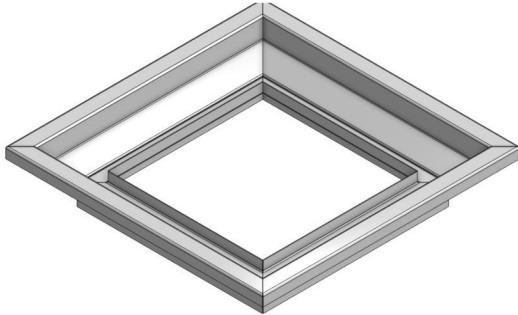
FAN Roof Curbs



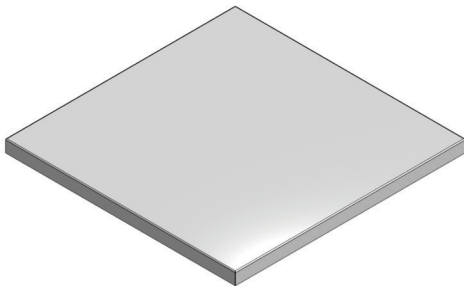


LINE CARD

FAN Curb Adapter

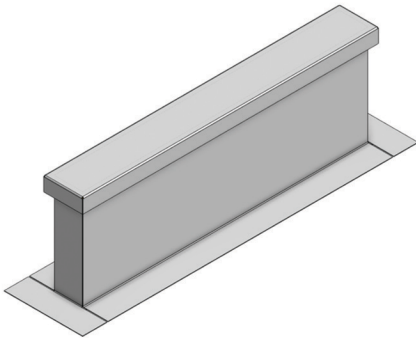


CURB Cap

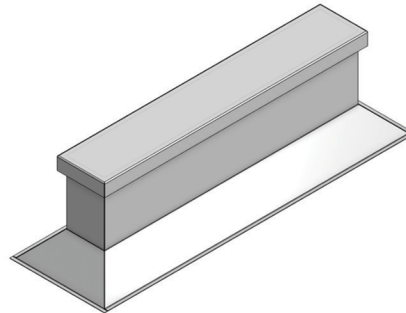


Standard

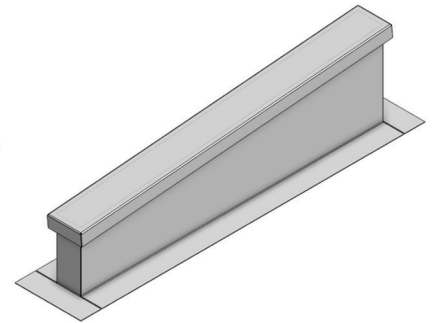
EQUIPMENT Support



Self-flashing
Equipment Support

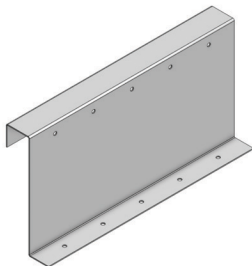


Canted
Equipment Support



Pitched Equipment
Support (long side)

RESTRAINT Bracket



Restraint Bracket/ Hurricane Clip